

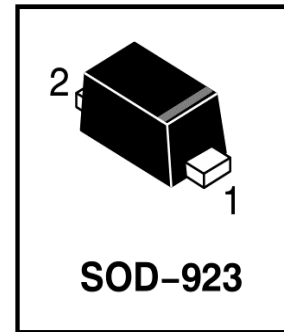
# LRB521CS-30T5G

## S-LRB521CS-30T5G

### SCHOTTKY BARRIER DIODE

#### 1. FEATURES

- We declare that the material of product compliance with RoHS requirements and Halogen Free.
- S- prefix for automotive and other applications requiring unique site and control change requirements; AEC-Q101 qualified and PPAP capable.
- Low current rectification
- Low VF
- High reliability.
- Silicon epitaxial planar



#### 2. DEVICE MARKING AND ORDERING INFORMATION

| Device         | Marking | Shipping       |
|----------------|---------|----------------|
| LRB521CS-30T5G | F       | 8000/Tape&Reel |

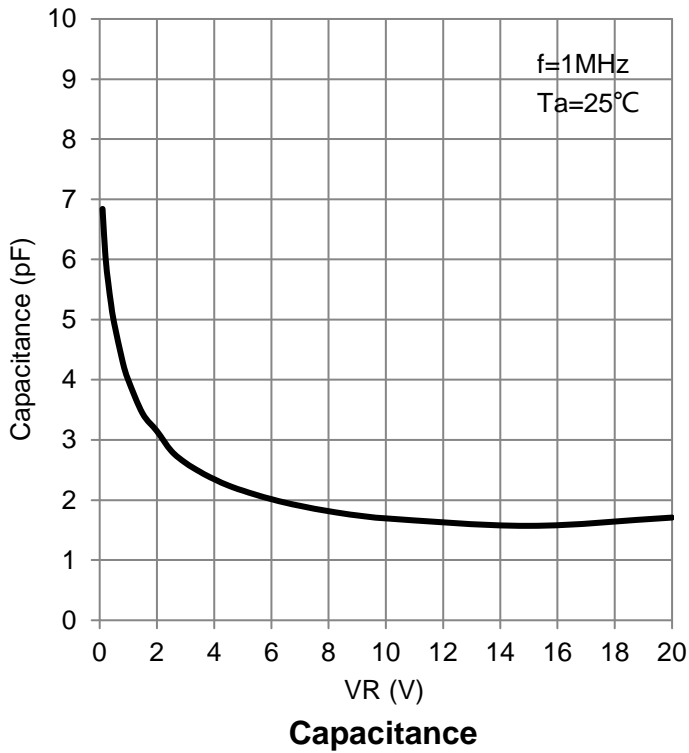
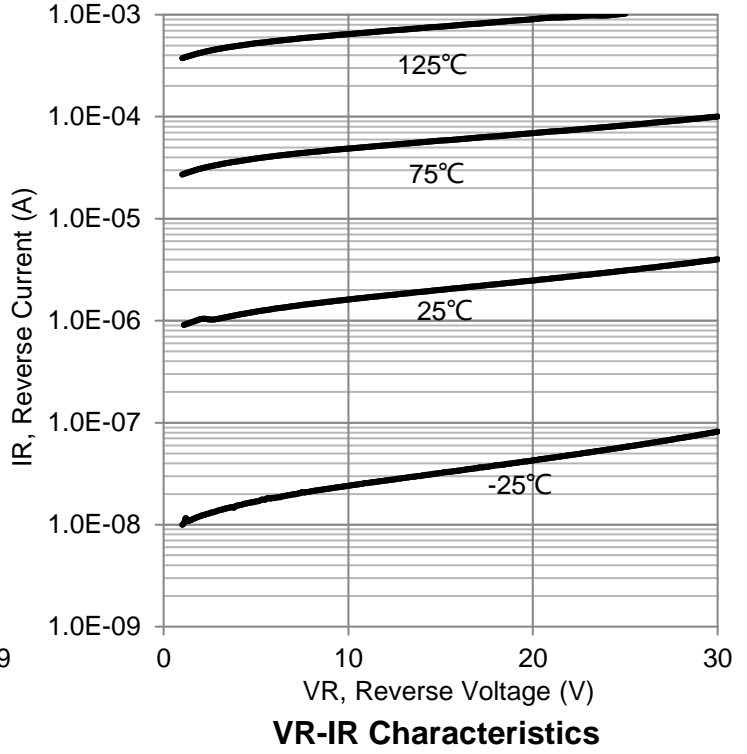
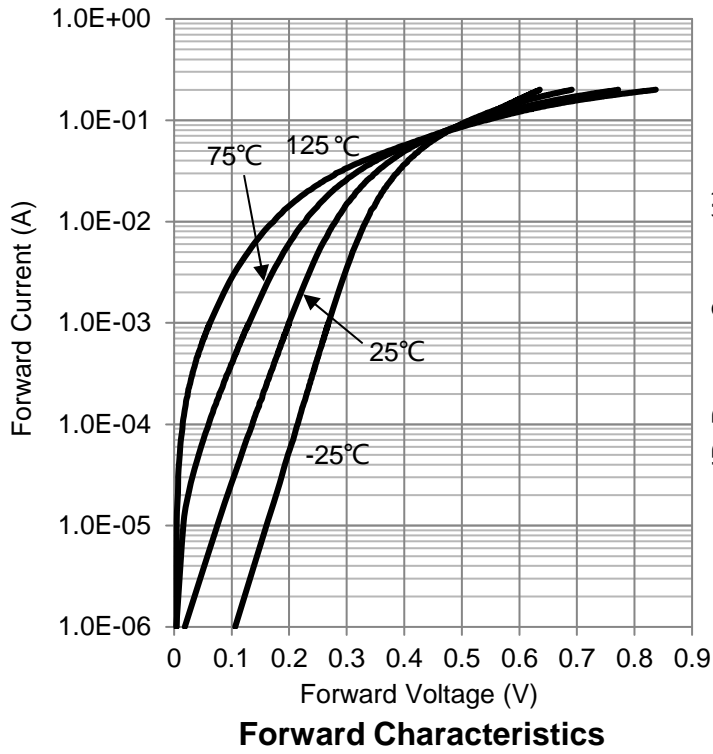
#### 3. MAXIMUM RATINGS(Ta = 25°C)

| Parameter                               | Symbol | Limits   | Unit |
|---|--------|----------|------|
| DC reverse voltage                      | VR     | 30       | V    |
| Average rectifier forward current       | IO     | 100      | mA   |
| Forward current surge peak(60Hz · 1cyc) | IFSM   | 500      | mA   |
| Junction temperature                    | Tj     | 125      | °C   |
| Storage temperature                     | Tstg   | -40~+125 | °C   |

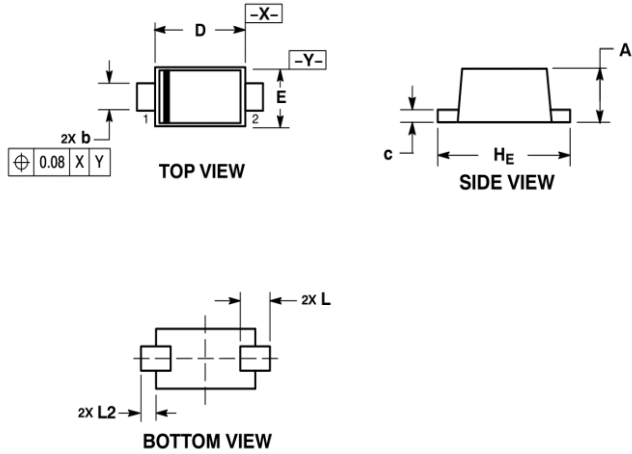
#### 4. ELECTRICAL CHARACTERISTICS

| Characteristic                | Symbol | Min. | Typ. | Max. | Unit |
|-------------------------------|--------|------|------|------|------|
| Forward voltage<br>(IF =10mA) | VF     | -    | -    | 0.35 | V    |
| (IF =20mA)                    |        |      |      | 0.4  |      |
| Reverse current<br>(VR =10V)  | IR     | -    | -    | 10   | μA   |

**5.ELECTRICAL CHARACTERISTICS CURVES**



## 6. OUTLINE AND DIMENSIONS



### Notes:

1. DIMENSIONING AND TOLERANCING PER ASME Y14.5M, 1994.
2. CONTROLLING DIMENSION: MILLIMETERS.
3. MAXIMUM LEAD THICKNESS INCLUDES LEAD FINISH. MINIMUM LEAD THICKNESS IS THE MINIMUM THICKNESS OF BASE MATERIAL.
4. DIMENSIONS D AND E DO NOT INCLUDE MOLD FLASH, PROTRUSIONS, OR GATE BURRS.

| DIM | MILLIMETERS |      |      | INCHES   |       |       |
|-----|-------------|------|------|----------|-------|-------|
|     | MIN         | NOM  | MAX  | MIN      | NOM   | MAX   |
| A   | 0.34        | 0.37 | 0.40 | 0.013    | 0.015 | 0.016 |
| b   | 0.15        | 0.20 | 0.25 | 0.006    | 0.008 | 0.010 |
| c   | 0.07        | 0.12 | 0.17 | 0.003    | 0.005 | 0.007 |
| D   | 0.75        | 0.80 | 0.85 | 0.030    | 0.031 | 0.033 |
| E   | 0.55        | 0.60 | 0.65 | 0.022    | 0.024 | 0.026 |
| HE  | 0.95        | 1.00 | 1.05 | 0.037    | 0.039 | 0.041 |
| L   | 0.19REF     |      |      | 0.007REF |       |       |
| L2  | 0.05        | 0.10 | 0.15 | 0.002    | 0.004 | 0.006 |

## 7. SOLDERING FOOTPRINT

